

SAPPHIRE 2

20W LED OYSTER

MULTIMODE EMERGENCY LIGHT

The new and improved Sapphire2 is a tri-colour LED multimode circular emergency light that provides a low-glare, high-transmission general light source whilst producing a bright light source under emergency conditions.

The toolless snap-fit diffuser system significantly reduces installation and maintenance time, and is designed to suit all general indoor or outdoor areas including stairwells, apartment buildings, offices, commercial properties and car parks.



SYNTHIUM[™] is an advanced environmentally-sustainable energy development that offers extended battery life, low cost of ownership, enhanced performance and improved safety.

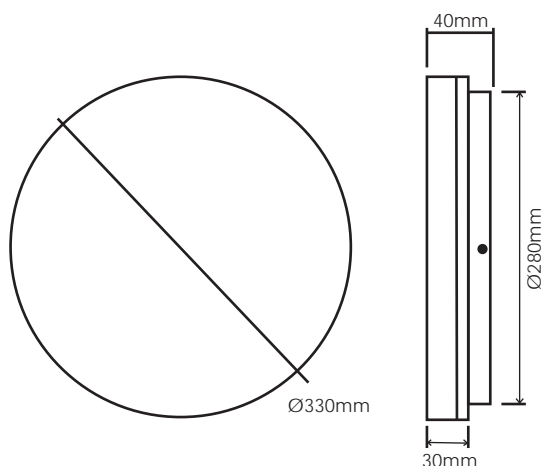


Technical Specifications

Item	Part Number	EMS-OYSTER
	Description	20W LED Tri-Colour Multimode Weatherproof IP65 Emergency Oyster c/w Synthium™ Battery
Input	Voltage & Frequency	230VAC ; 50Hz
	Installation	Tool-less wall / ceiling mounting bracket with 1.2m fly lead
Output	Light Source	2400lm Tri-Colour (3000K / 4000K / 6000K) High Performance LED Array - 50,000 hours
	Mode of Operation	Multimode - Maintained / Non-Maintained / Switchable
	Power Consumption	23W (Maintained), 5W (Non-Maintained)
	Emergency Duration	> 120 minutes
Controls	Charger	Intelligent 3-stage charger
	Protection	Overcharge, low voltage disconnect, overcurrent, short circuit
	Testing Facility	Manual test switch
	Indicators	Battery charger green LED
Physical	Construction	Diffuser - low glare opal polycarbonate, Chassis - Polycarbonate
	Mounting	Surface mounted - ceiling or wall
	Dimensions LxWxH	330mm x 330mm x 40mm
	IP / IK Rating	IP65
	Weight	2.0kg
	Warranty	3 years
Environment	Operating Temperature	1° to 40°C
	Relative Humidity	0 to 95%
Compliance	Standards	RCM / EMC, AS/NZS 2293, AS/NZS 60598.1
	AS/NZS 2293 Classification	C0 D40 C90 D40
N/A Accessories	Replacement Battery	P/N: BAT-OYSTER: Synthium™ LiFePO ₄
	Microwave Dimming Sensor	P/N: include suffix "/MWS" e.g. EMS-OYSTER/MWS

NOTE: Product specifications subject to change without prior notice due to ongoing product improvement policy and changes to industry standards.

Dimensions



Spacing Table

SPACING TABLE		MOUNTING HEIGHT (m)								
NATA Classification		2.1	2.4	2.7	3.0	4.0	5.0	6.0	8.0	10.0
EMS-OYSTER	C0 - D50	11.5	13.2	14.8	16.5	21.8	23.1	24.1	25.4	25.8
	C90 - D50	11.5	13.2	14.8	16.5	21.8	23.1	24.1	25.4	25.8

Distributed By:

