

ESQUIRE FLOOD

**2x10W LED WEATHERPROOF IP65
NON-MAINTAINED EMERGENCY FLOODLIGHT**

This high-powered LED emergency flood light provides an ultra bright source of indirect emergency lighting using efficient LEDs and a high transmission acrylic lens in a simple yet robust form factor.

It delivers brilliant illumination during an emergency and is designed to operate reliably in indoor or outdoor areas with high ceilings or where it is not possible to mount conventional emergency luminaires such as stadiums, large warehouses, loading docks, factories and assembly points.



Available as:



SYNTHIUM[™] nanotechnology is an advanced environmentally sustainable energy development that offers extended battery life, low cost of ownership, enhanced performance and improved safety.

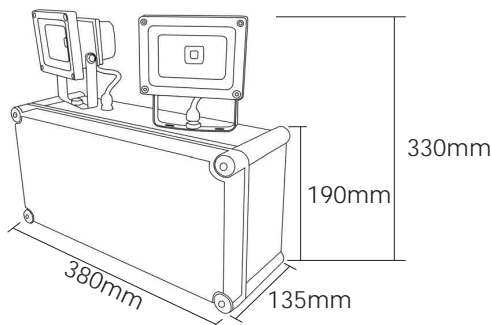


Technical Specifications

Item	Part Number	EMS-FLOOD
	Description	2 x 10W LED Weatherproof IP65 Emergency Floodlight c/w Synthium™ Battery
Input	Operating Voltage & Frequency	230VAC ; 50Hz
	Installation	Large terminal block, 20mm ² cable entry
Output	Light Source	2 x 10W 5000K LED
	Mode of Operation	Non-Maintained
	Power Consumption	2W (standby)
	Emergency Duration	> 120 minutes
Controls	Charger	16hr intelligent 3-stage charger with Synthium™ battery management system
	Protection	Overcharge, low voltage disconnect, overcurrent, short circuit
	Testing Facility	Manual test switch
	Indicators	Battery charging green LED
Physical	Construction	Chassis: Flame-retardant polycarbonate, Lens: acrylic
	Mounting	Surface mounted, wall
	IP Rating	IP 65
	Weight	4.0kg
Environment	Operating Temperature	1° to 40°C
	Relative Humidity	0 to 95%
Compliance	Standards	RCM / EMC, AS/NZS 2293, AS/NZS 60598.1
	AS/NZS 2293 Classification	N/A due to rotatable lamps, refer to photometrics below
Accessories	STAR™ Self-Test and Reporting	P/N: EMS-FLOOD/ST
	DALI-compatible	P/N: EMS-FLOOD/DL
	SYNECTIX™ RF Wireless	P/N: EMS-FLOOD/RF
	Replacement Battery	P/N: BAT-FLOOD: Synthium™ LiFePO ₄

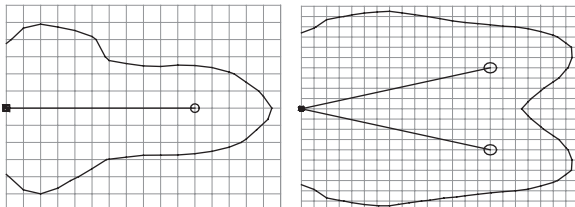
NOTE: Product specifications subject to change without prior notice due to ongoing product improvement policy and changes to industry standards.

Dimensions



Photometrics

The photometric data below is calculated at a mounting height of 3 metres. Lamps must be positioned as per the drawing below:



1x10W LED lamp @ 50° tilt

Area	Mounting Height (m)		
	3.0	4.0	5.0
0.2 lux	200m ²	265m ²	320m ²
1.0 lux	85m ²	95m ²	105m ²

2x10W LED lamp @ 50° tilt

Area	Mounting Height (m)		
	3.0	4.0	5.0
0.2 lux	340m ²	420m ²	500m ²
1.0 lux	125m ²	145m ²	160m ²

According to AS2293, emergency floodlights with rotatable light sources are classified as indirect emergency lighting. Therefore, emergency classifications and spacing tables are unavailable for this type of luminaire. IES files are available for specifiers.

Distributed By:

